

In-Line Mixed Flow Duct Fans

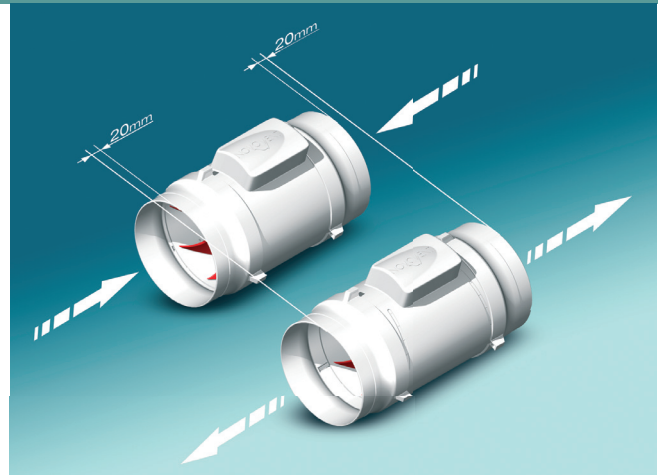
Higher performance, compact and silent due to wheel design and the S.N.C. (Serrated Novovent Concept).

Five diameters range: 100, 125, 150, 160 and 200 mm, manufactured in reinforced plastic.

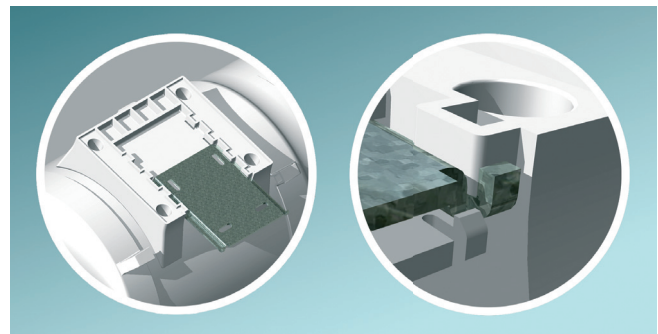
2-speed single phase 230v 50Hz. Motor class B with ball bearing. Available with timer.

A low profile and a compact design make it ideal for installation in cramped areas where space is limited.

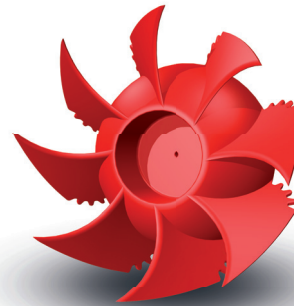
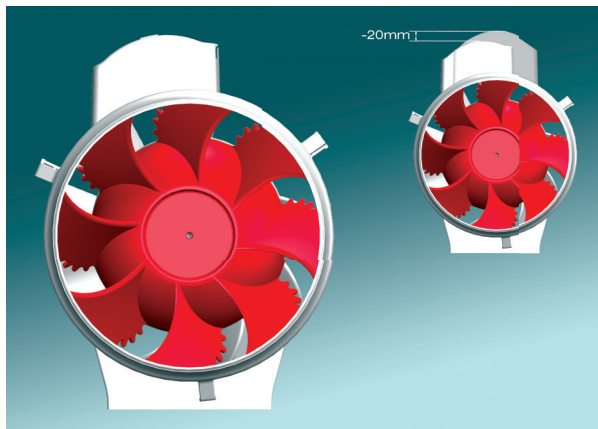
Connection Box located on the side of the fan.



Telescopic inlet-outlet, for easy installation between ducts.



The base support of the fan can be unassembled from the fan and fixed independently to the wall by four screws.



Jagged mixed flow blade design with guide vanes.

NOVOVENT

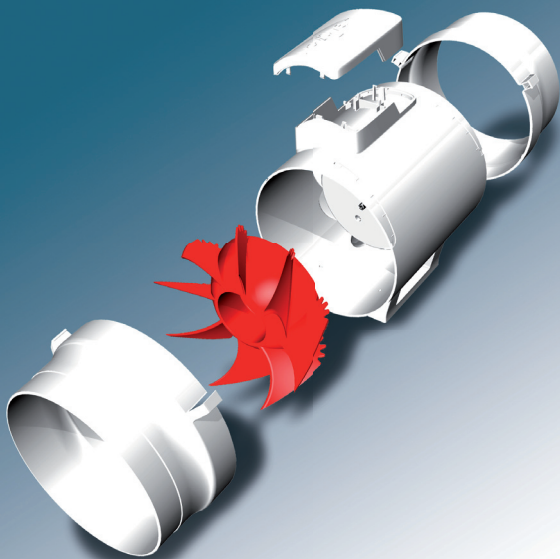
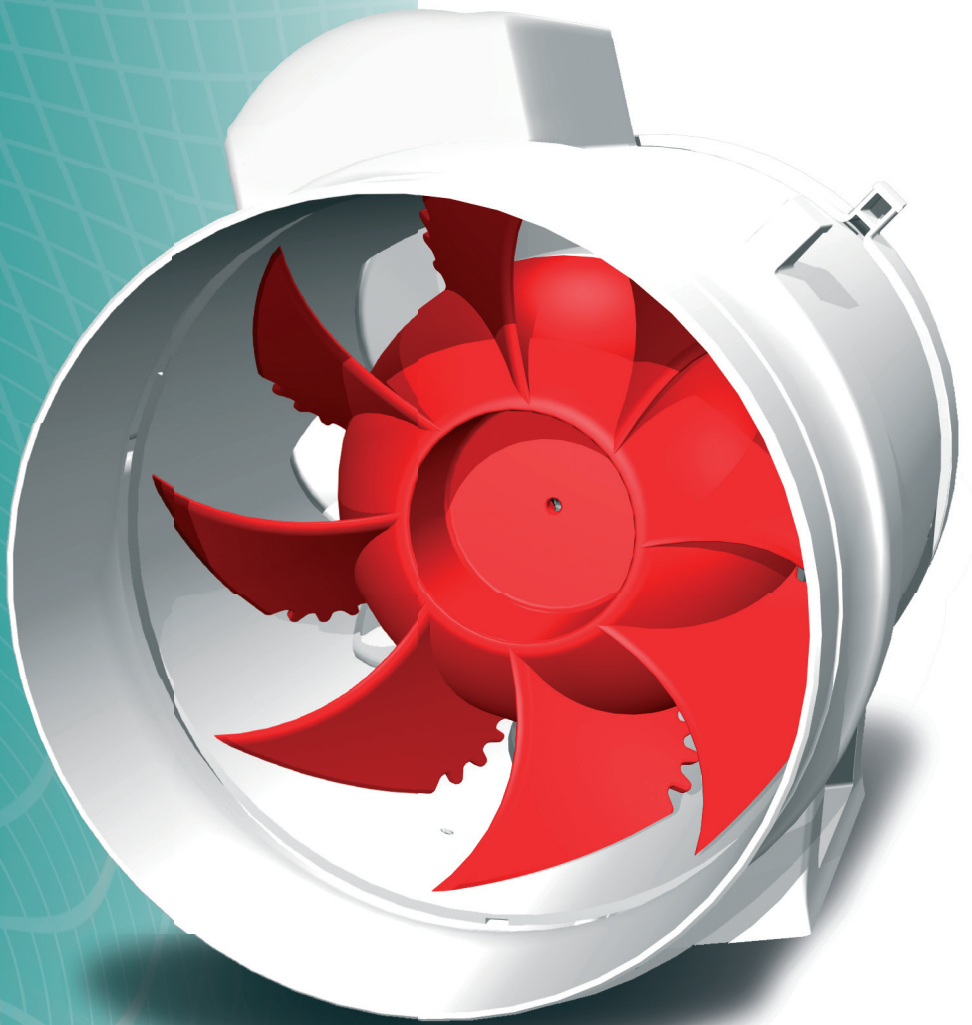
SISTEMAS VENTILACIÓN Y CLIMATIZACIÓN

Josep Finestres, 9 - 08030 BARCELONA - Spain

Tel. +34 93 278 82 77 Fax +34 93 278 82 67

www.novovent.com

E.mail: novovent@novovent.com



IN-NOVO

In-Line
Mixed Flow
Duct Fans